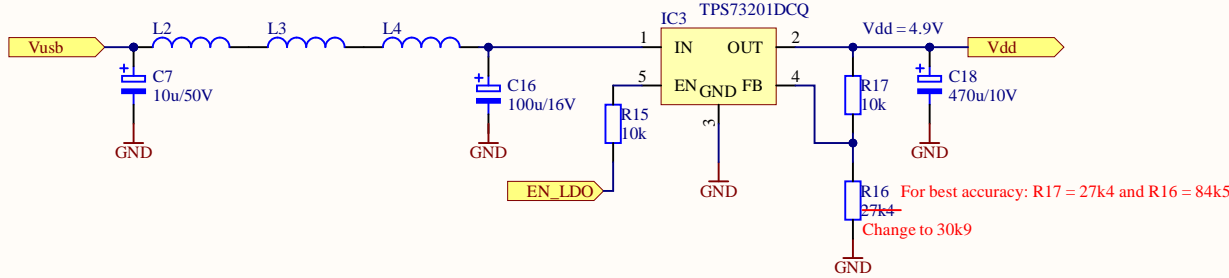
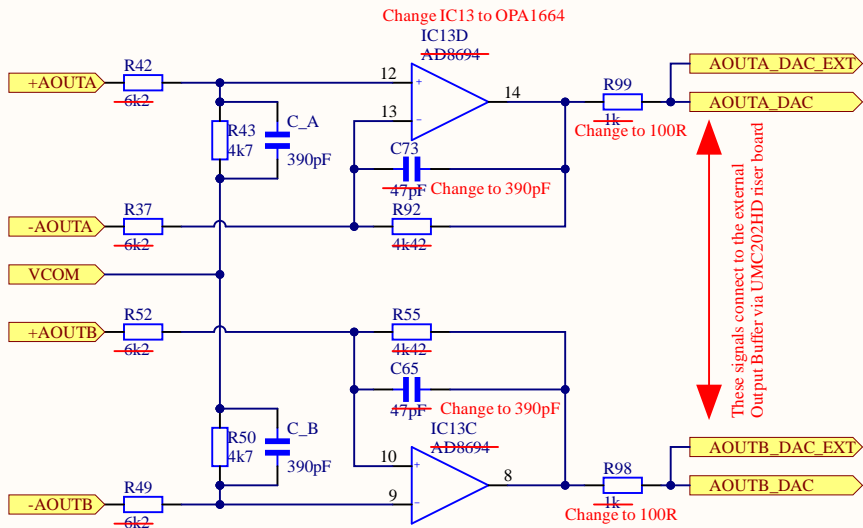


### Power supply

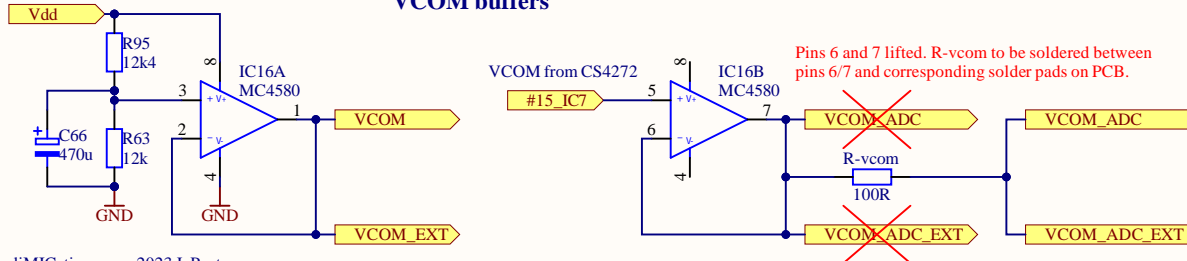


### DAC Output Buffer



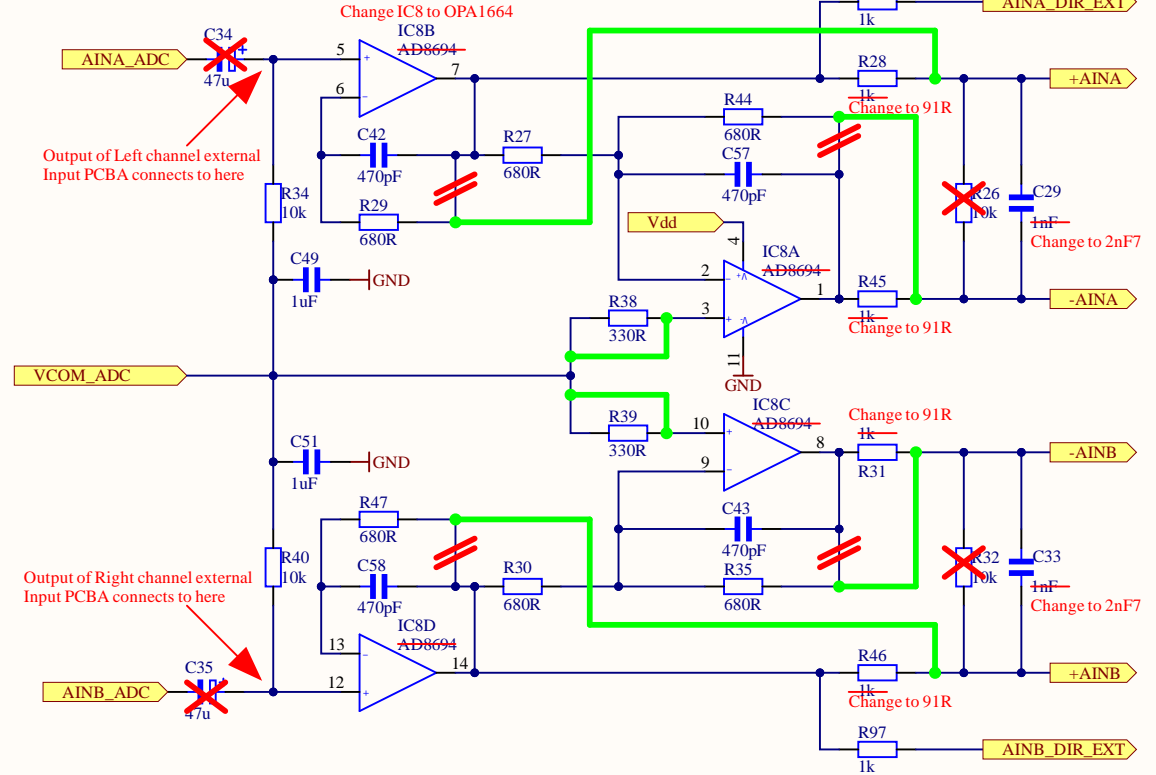
Change R42, R43, R37, R52, R50, R49, R92 and R55 to 4k7 1% resistors.  
Capacitors C\_A and C\_B can be piggy-backed on top of R43 and R50

### VCOM buffers



Pins 6 and 7 lifted. R-vcom to be soldered between pins 6/7 and corresponding solder pads on PCB.

### ADC Input Buffer



Output of Left channel external Input PCBA connects to here

Output of Right channel external Input PCBA connects to here

These signals connect to the external Output Buffer via UMC202HD riser board

Title		
UMC202HD modifications		
Size	Number	Revision
A4		A
Date:	10/15/2023	Sheet of
File:	D:\Data\...UMC202HD.SchDoc	Drawn By: J. Postma